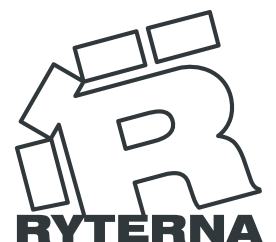




INDUSTRIAL DOORS

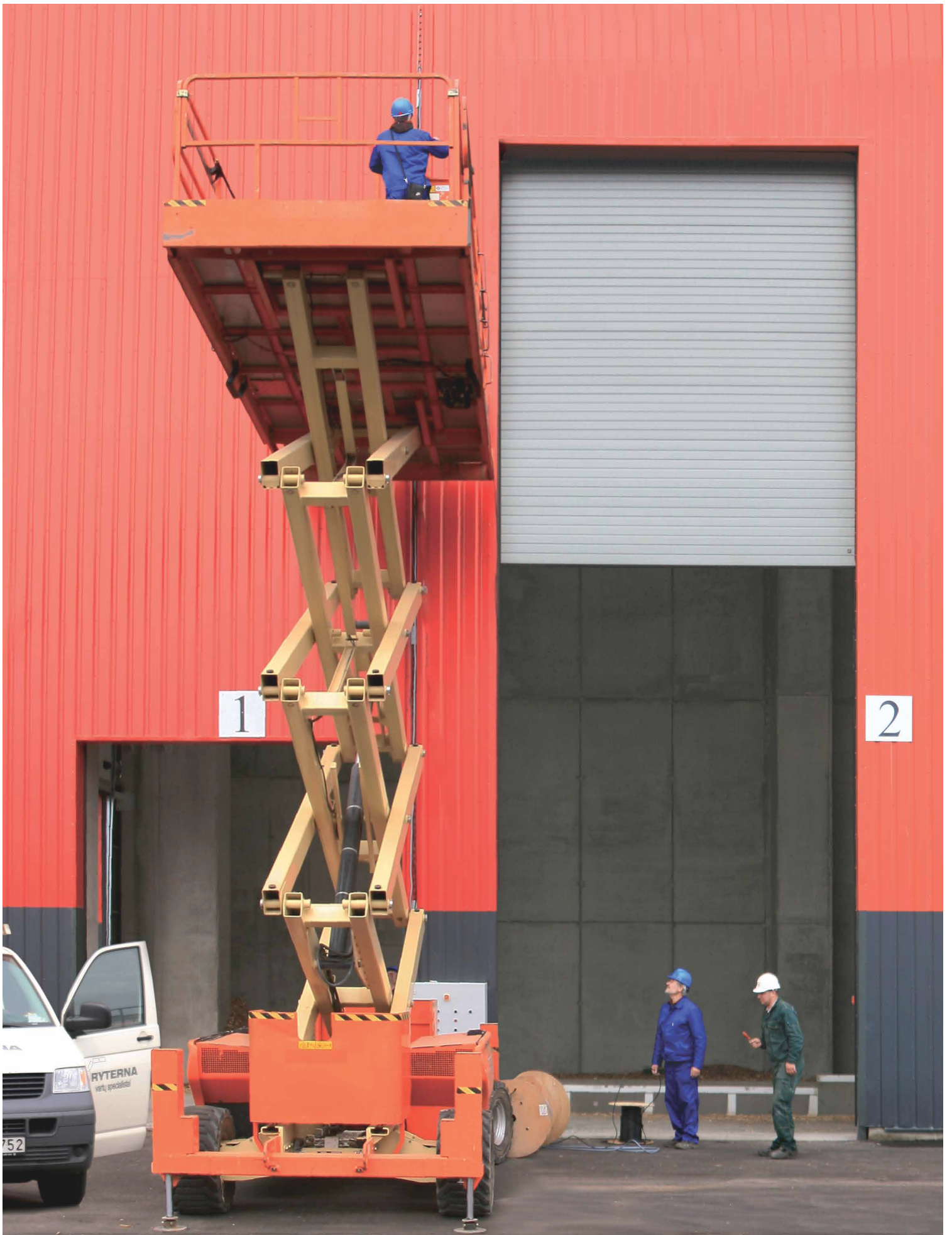






Contents

INTRO	5
TLP40 RIB	7
TLP40 MACRORIB	9
GLAZING OPTIONS	11
WICKET DOORS	13
SIDE DOORS	15
TLP40 FULL VIEW	17
TLP40 FULL VIEW THERMO	19
TLT40	21
TLP80 ULTRA THERMO	22
TLP80 FULL VIEW ULTRA THERMO	23
TRACKS	24
MATCH THE STYLE	29
ISFD SIDE SLIDING FRAMED DOORS	30
ISSD SIDE SLIDING SECTIONAL DOORS	31
ISH2 INDUSTRIAL SIDE HINGED DOORS	32
PANEL OPTIONS	33
TAILORED ENGINEERING	33



Industrial doors built to serve

RYTERNA manufactures several types of industrial doors. Each door is built precisely for its intended purpose. Durability and performance are key factors, but we also prioritize door aesthetics. The appearance of your industrial surroundings is important.

We specialize in designing and manufacturing large-size special doors of various types. Each case is unique, and we are ready to help you choose the right type of door to achieve the best performance.

With over 30 years of experience in sectional door manufacturing, we have developed a wide product range, from robust design, materials, insulation, and hardware to fast delivery and reliable service.

Numerous sectional door manufacturing facilities, equipped with continuous production lines, supply sectional door products across Europe. For further information on our product range, please contact your nearest RYTERNA distribution office, where a member of our staff will be happy to assist you with any inquiries.

Variety. We offer a vast range of panel designs. RYTERNA provides a standard panel range, as well as many exclusive and unique designs, to meet the most demanding requirements.

Tailored. Each RYTERNA door is tailor-made to the exact dimensions of your opening, ensuring the door is manufactured according to your specifications at no extra cost.

Quality & Safety. We operate in accordance with EN ISO 9001:2015 quality standards. Our products are tested to meet CE requirements in accordance with standard EN 13241-1 and include anti-pinching panels and hardware, spring brake safety devices, and other equipment to ensure safe operation. The RYTERNA quality system, along with years of experience, helps us produce top-of-the-line sectional doors.

Insulation. RYTERNA sectional door panels are made of double-skin, zinc-coated, primed, and painted steel filled with 1 9/16" or 3 3/16" PU foam. Tight weather-sealing all around the door provides efficient thermal insulation.

Delivery. All doors are delivered by the RYTERNA fleet. Firm and easy-to-handle packing significantly reduces the risk of damage until the moment of fitting.





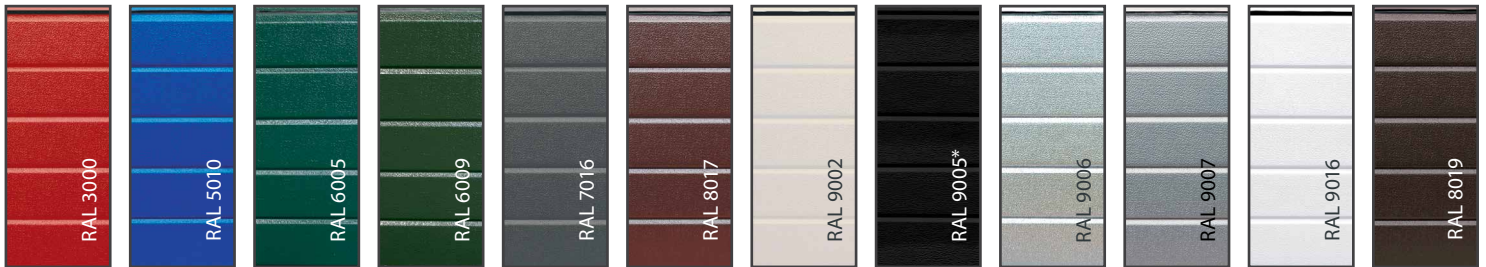
TLP40 Rib

Rib panel surfaces have a standard stucco pattern.

Double steel skin, 1 9/6" thick, PU insulated panels provide good thermal insulation. Standard panel heights are 19 3/4" and 24". Sections of this type can be used in doors up to 538 ft².

The 4" high horizontal ribs give the door a lightweight look and extra sturdiness at the same time.

TLP40 Rib doors are available in 12 standard colors, with any other RAL palette color available upon request.



*RAL 9005 in Woodgrain only.





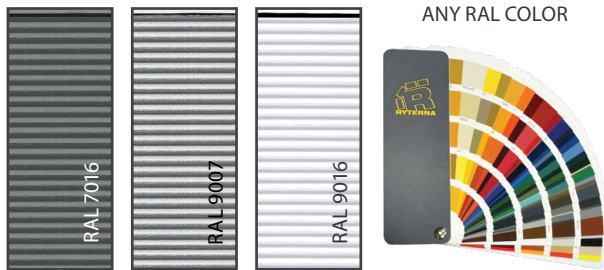
TLP40 Macrorib

Macrorib panel surfaces have a standard Stucco pattern.

The surface of a Macrorib door is Stucco-embossed and formed in soft waves, every 3/8". This modern-style door is visually appealing and suitable for industrial architecture.

Standard panel heights are 19 3/4" and 24".

Macrorib doors come in standard RAL 7016, RAL 9007, and RAL 9016, or they can be painted in any RAL color.





Glazing options

Three types of windows are available: round, oval, and rectangular. Double acrylic glazing with a plastic frame is standard. For a more stylish effect, stainless steel windows with single or double safety glass are available upon request. Stainless steel frames painted in RAL colors are also available.



- Rectangular window
- Black plastic frame
- Double acrylic glazing.
- Dimensions — 25 1/16" × 13 1/8"



- Rectangular window
- Black plastic frame
- Double acrylic glazing
- Dimensions — 24" × 8"



- Oval window
- Black plastic frame
- Double acrylic glazing
- Dimensions — 26 1/4" × 13 1/2"



- Decorative round window
- Stainless steel frame
- Safety glass
- Diameter: 12 1/4"; 9"; 6"



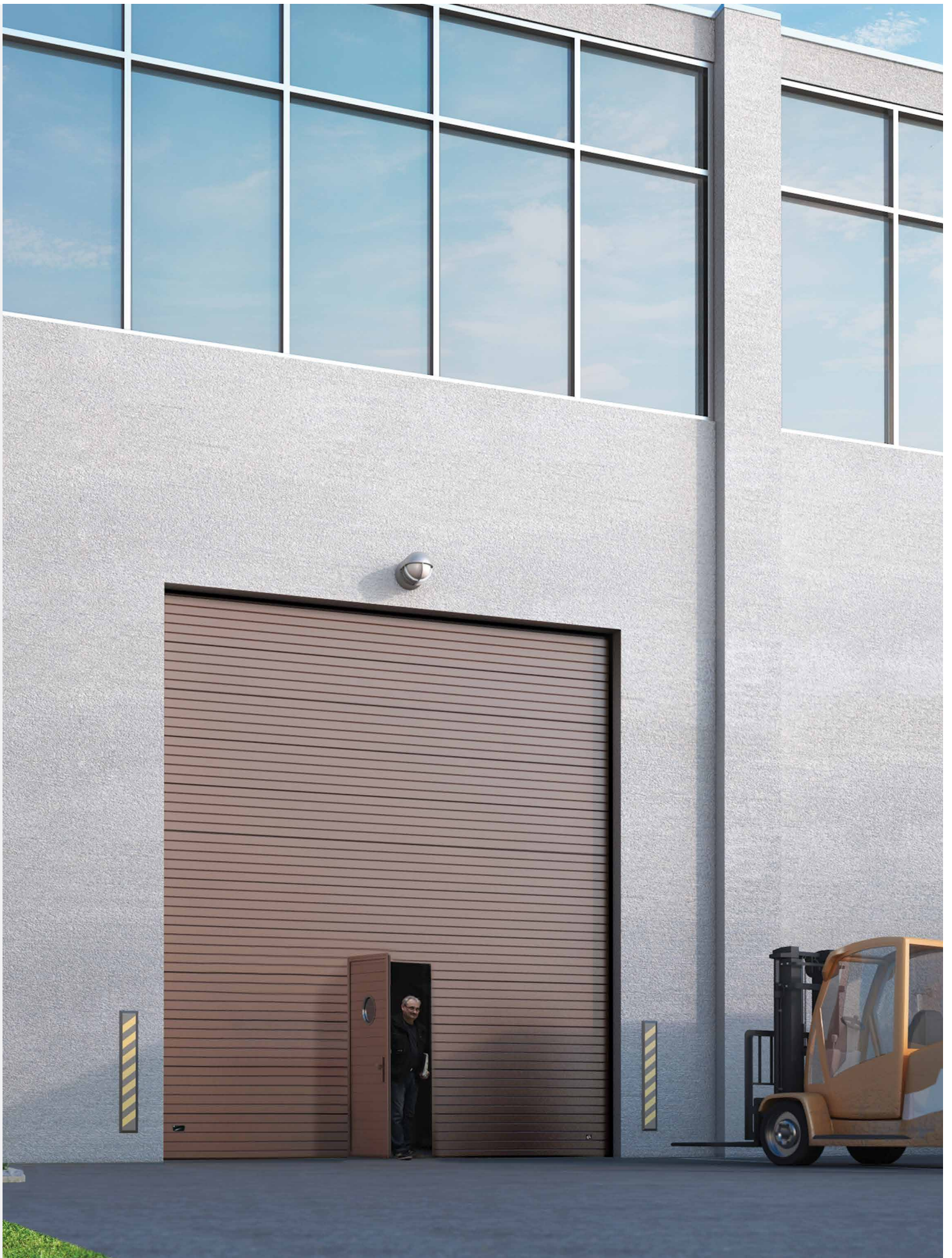
- Decorative round window
- Stainless steel frame painted RAL colors
- Safety glass
- Diameters: 12 1/4"; 9"; 6"



- Decorative square window
- Stainless steel frame
- Double safety glass
- Dimensions: 12 3/8" × 12 3/8"; 9 1/4" × 9 1/4"; 6" × 6"



- Decorative rectangular window
- Stainless steel frame
- Double safety glass
- Dimensions — 31 5/8" × 6"



Wicket doors



When an additional entrance is required and there is no space for a side door, a **wicket door** could be an option. As standard, wicket doors are supplied with a door closer, lock, and handle. You can choose either a standard version or one with a low threshold, which is more convenient to pass through.

Standard opening sizes are 31 1/2" wide and 74 3/4" – 90 1/2" high, depending on the door layout. The maximum wicket door opening width is 47 1/4" (consult the manufacturer about the possibility for wider doors).

The pass door in a TLP40 door is factory pre-assembled with a lock and sliding door closer.

Options with a magnetic or mechanical pass door closure switch and various anti-panic lock options are factory pre-installed upon request.

Pass doors can be made of double-skinned sandwich panels or full-vision aluminum panels.

For additional security, a 3-point lock is optional.

STANDARD HANDLE COLOR – SILVER
BLACK AND WHITE – ON REQUEST



ANTI-PANIC LOCK



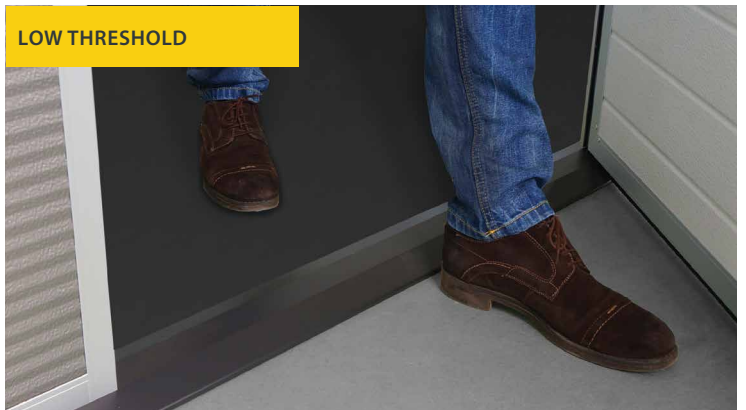
ANTI-PANIC LOCK WITH PUSH BAR



STANDARD THRESHOLD

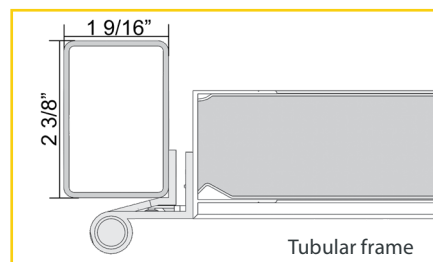
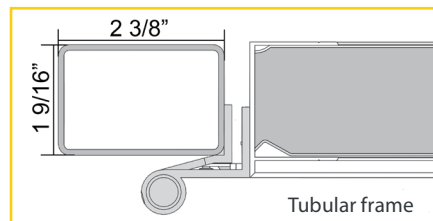
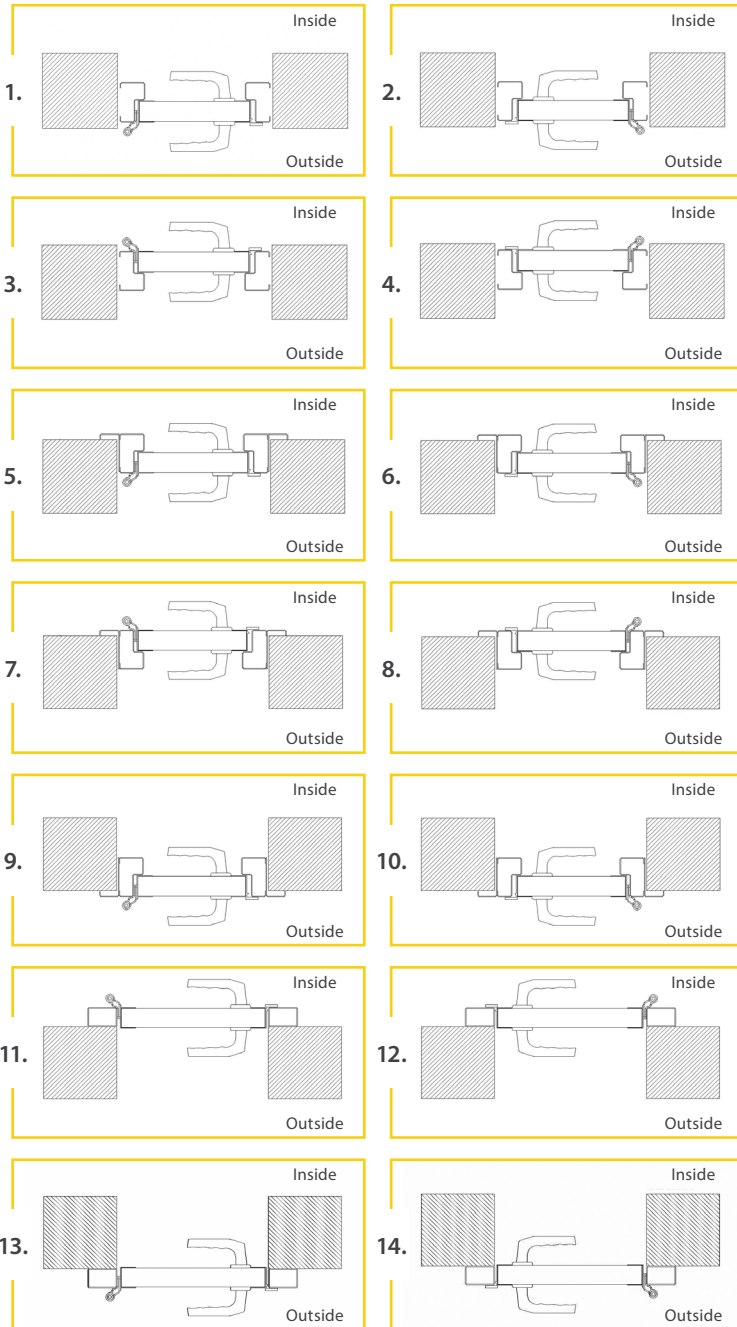


LOW THRESHOLD





SIDE DOOR FITTING AND OPENING OPTION

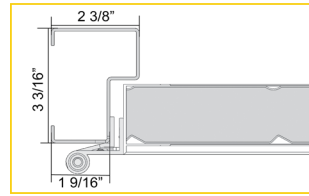


3-POINT LOCK

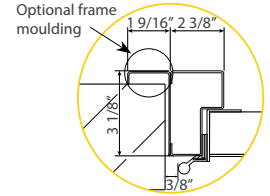


Side doors

Side doors are designed to match the style and specifications of the panels, including aluminum frames and glazing.



Standard frames



Frame dimensions with moulding

**STANDARD HANDLE COLOR – SILVER
BLACK AND WHITE – ON REQUEST**



ANTI-PANIC LOCK / ANTI-PANIC LOCK WITH PUSH BAR



SELF CLOSING HINGES



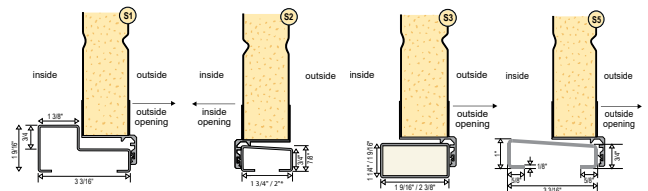
FRAME MOLDINGS



With molding

Without molding

SIDE DOORS THRESHOLD





TLP40 full view

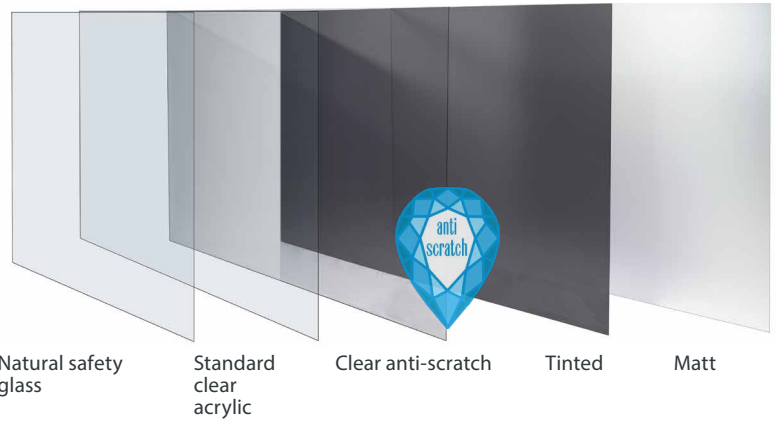
FV-standard



TLP40-FV door panels feature anodized aluminum frames glazed with double acrylic glass as standard. Aluminum profiles can be painted in any color, including metallic finishes.

Optionally, you can choose from acrylic, anti-scratch, tinted, matt, or safety glass.

The standard for TLP40 full view doors is a white sandwich-type bottom panel. A glazed or sandwich-filled bottom panel is optional.



Natural safety glass

Standard clear acrylic

Clear anti-scratch

Tinted

Matt





TLP40 full view Thermo



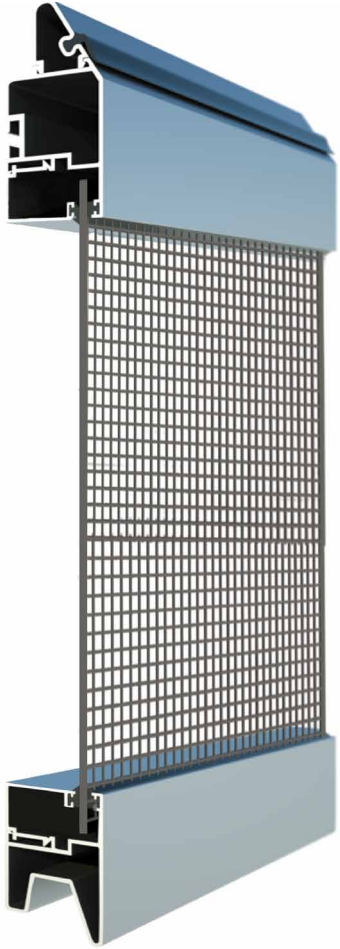
Aluminum profiles with a thermal break significantly increase the insulation value of panoramic sectional door panels. FV Thermo doors come standard with double panes of acrylic glazing or double anti-scratch glazing.

Optional tinted glazing offers improved thermal performance.





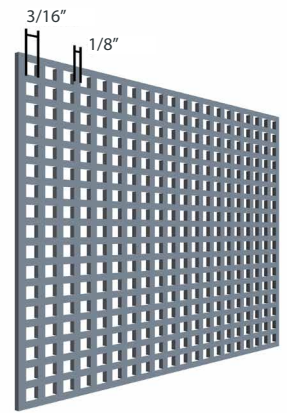
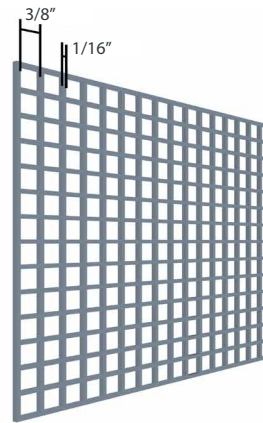
TLT40



TLT40 sectional doors are designed for premises that require intensive ventilation, such as underground garages and car parks. The aluminum frame with perforated, galvanized, and coated steel sheets or perforated aluminum fillings (only 3/8" × 3/8") provides the necessary airflow.

We offer grilles with two hole sizes: 3/16" × 3/16" with approximately 40% air permeability and 3/8" × 3/8" with approximately 70% air permeability.

The number of perforated panels, both in the door and side doors, can vary depending on the airflow requirements.



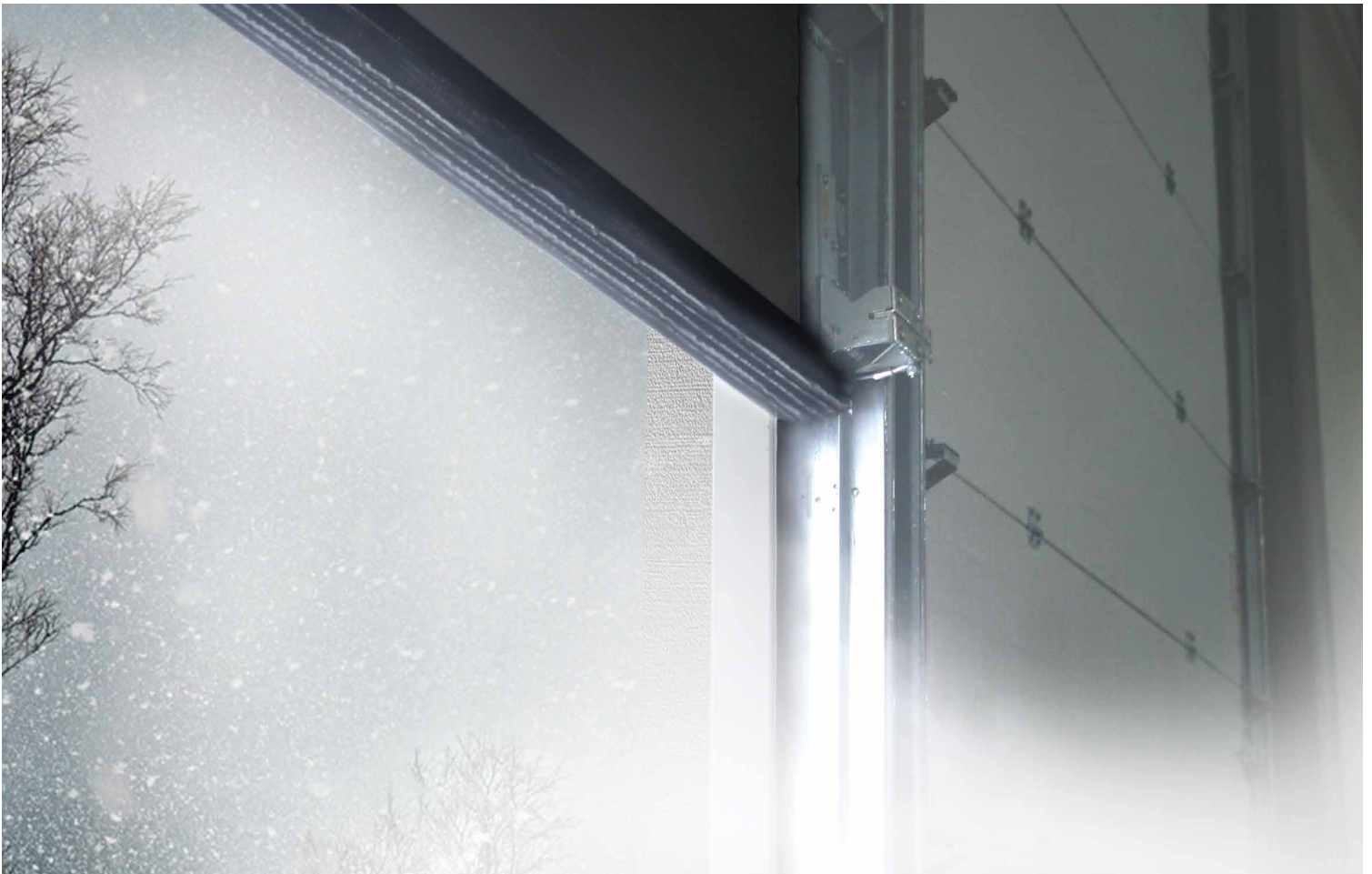
TLP80 ultra Thermo

Ultra Thermo industrial doors are designed and manufactured to conserve thermal energy in heated or refrigerated premises. A thermal break between the inner and outer steel surfaces, along with 3 3/16" thick high-density polyurethane insulation, provides excellent thermal performance, with a thermal resistance value of up to 0.5 W/m² K (R-value 11.36 ft²·°F·h/BTU).

The thermal insulation of triple-glazed acrylic windows is equal to the panel of sandwich.



Triple acrylic glazing



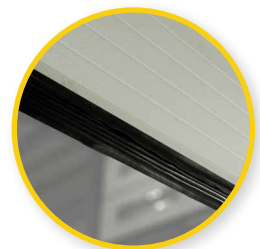
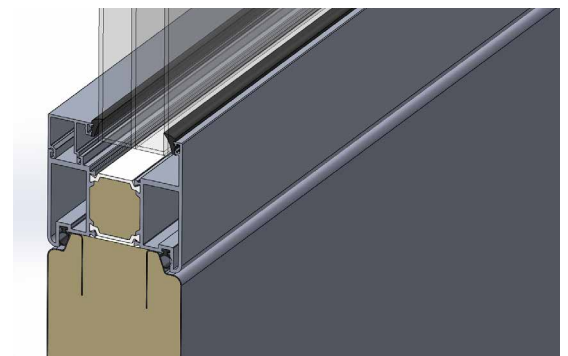
TLP80 full view ultra Thermo



3 3/16" thick aluminum profiles with 1 3/16" PU foam thermal break.

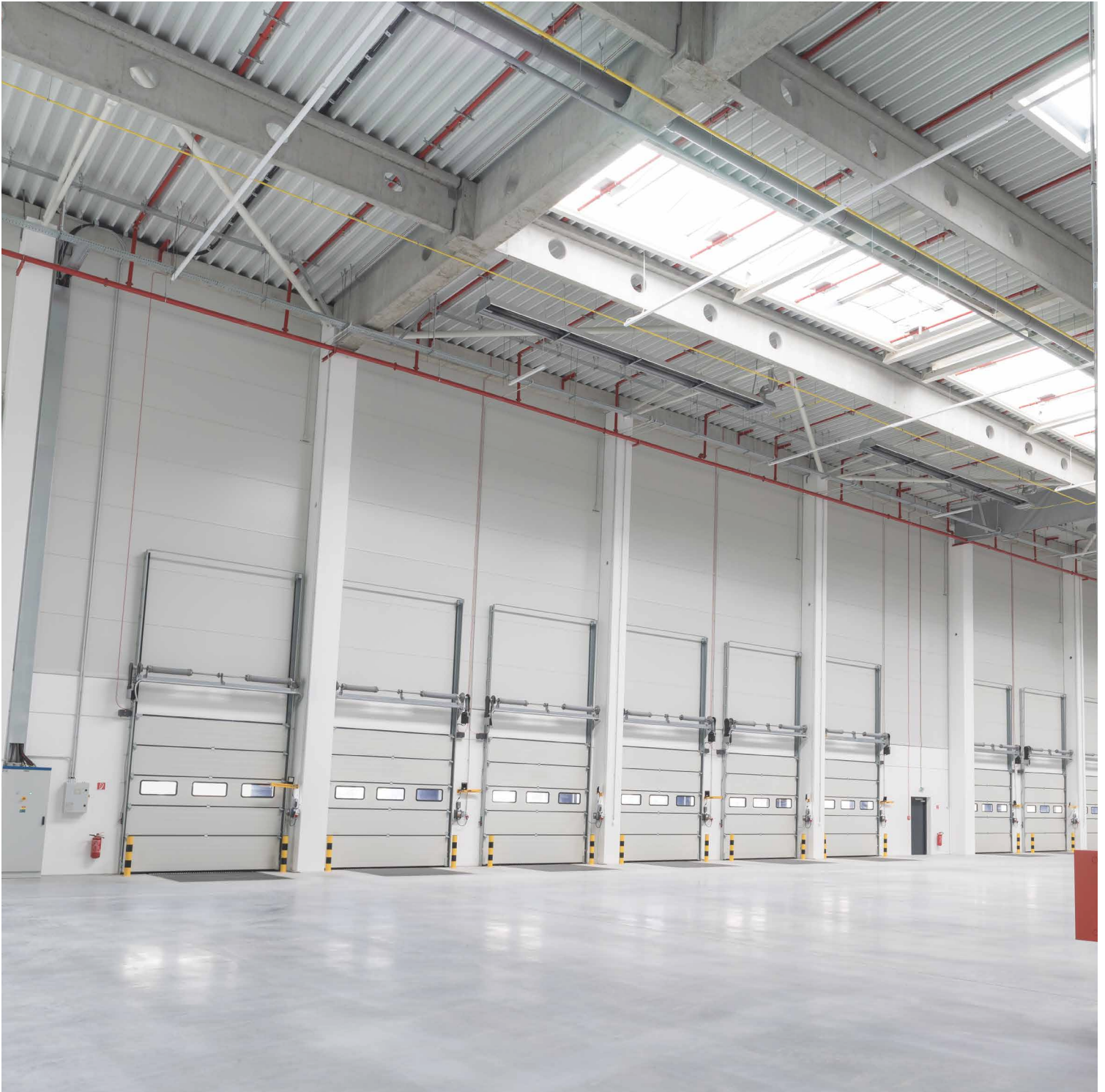
Made to measure up to:

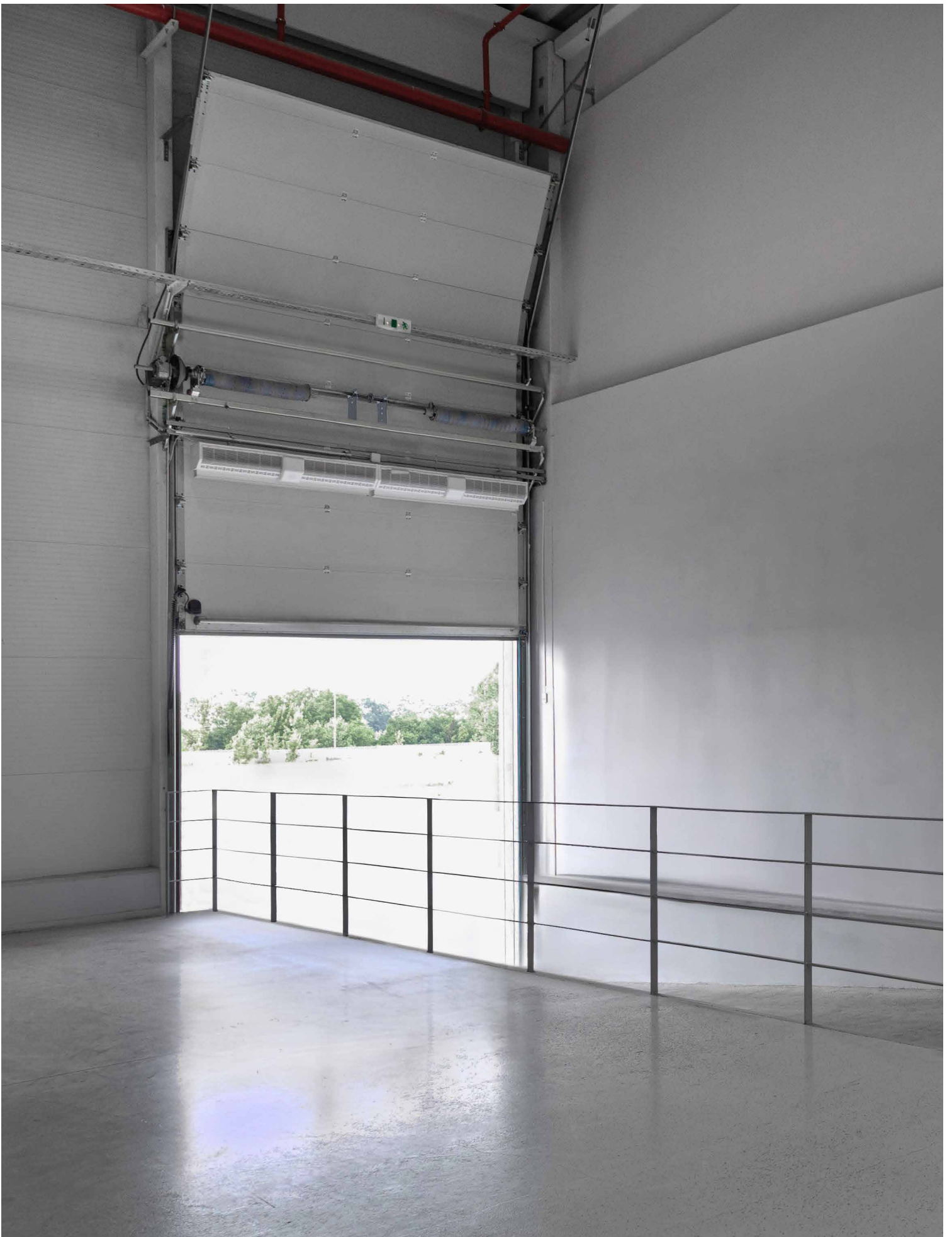
- 236 1/4" wide
- 196 7/8" high
- U-value = 2.0 W/m² K (R-value 2.84 ft²·°F·h/BTU)



Tracks

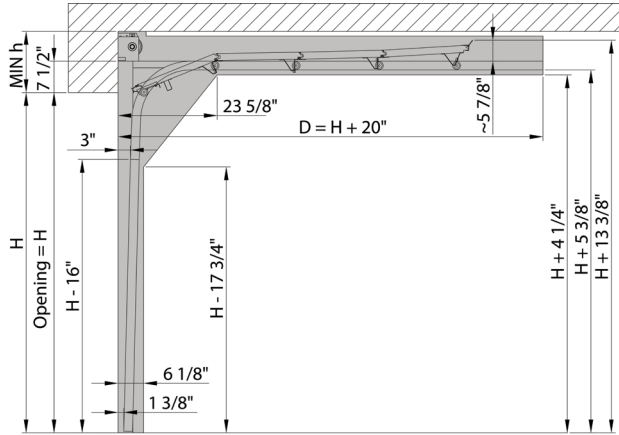
No matter how large your door or complex the building configuration is, we can offer tailored solutions for optimal performance.





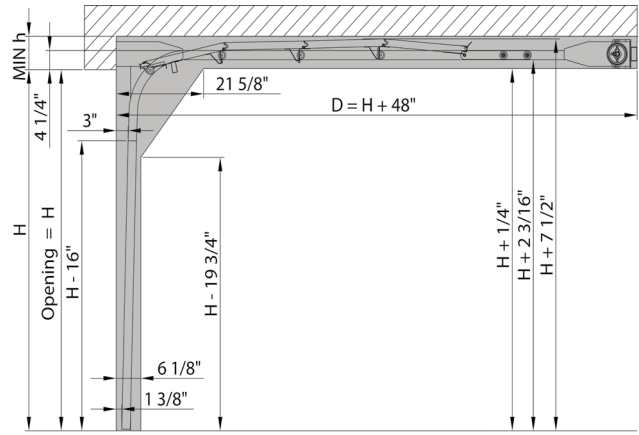
TLP40 STD

Standard



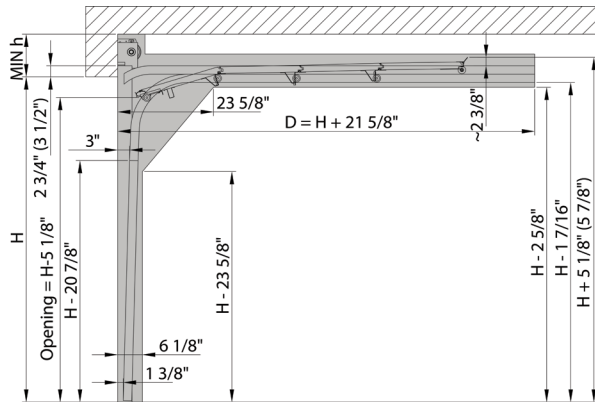
TLP40 STD RM

Standard, spring rear mounted



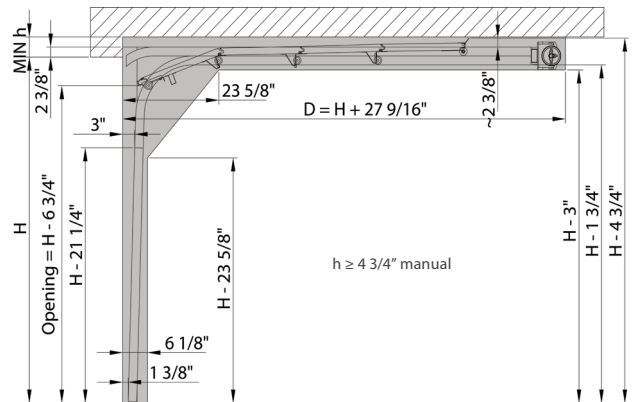
TLP40 LHR FM

Low headroom, spring front mounted



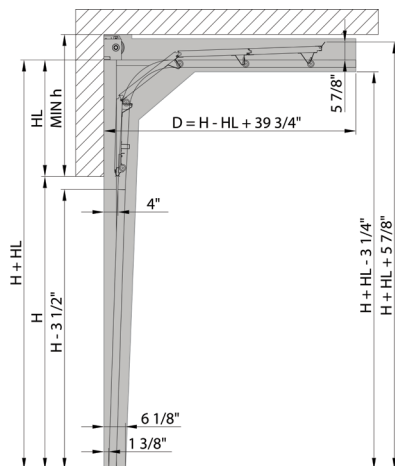
TLP40 LHR RM

Low headroom, spring rear mounted



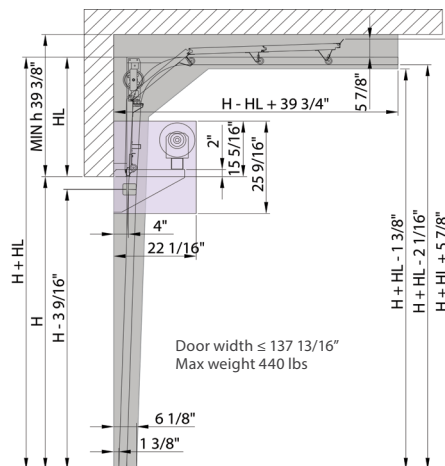
TLP40 HL

High lift



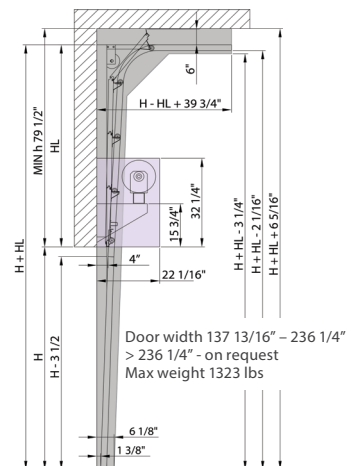
TLP40 HL MM1

High lift with console



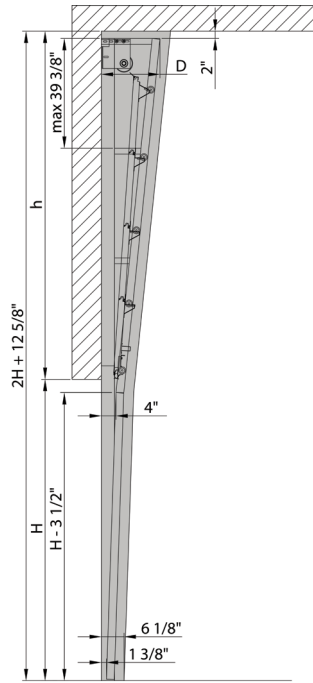
TLP40 HL MM2

High lift with console



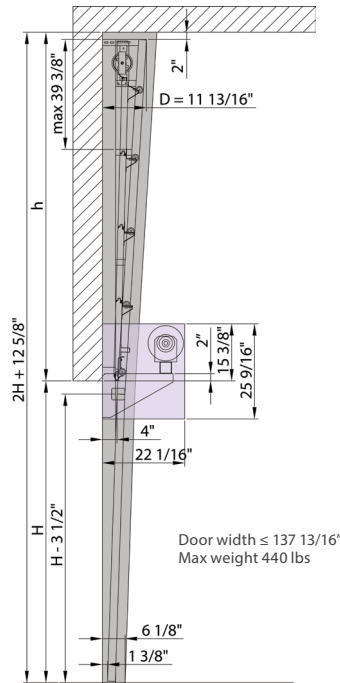
TLP40 VL

Vertical lift



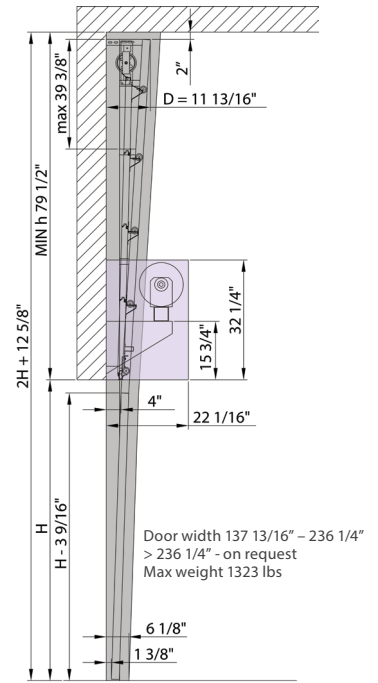
TLP40 VL MM1

Vertical lift with console



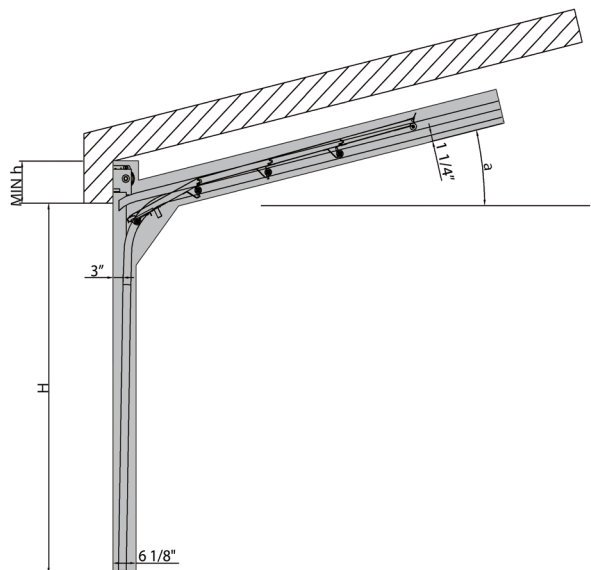
TLP40 VL MM2

Vertical lift with console



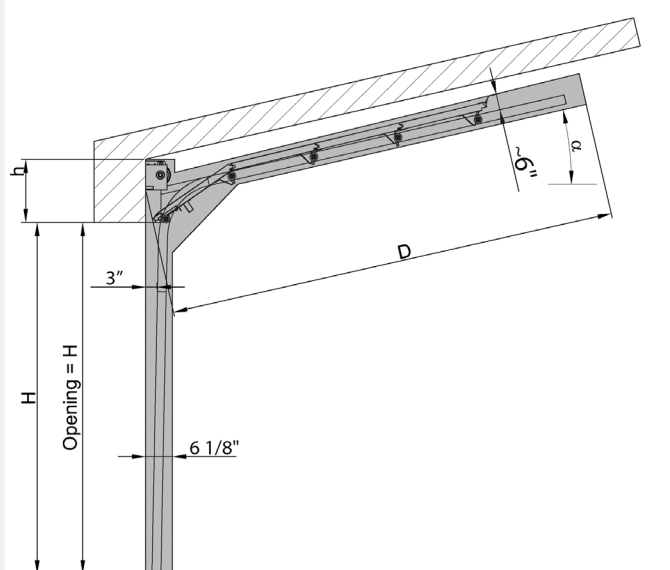
SLOPING ROOF1

TLP40 LHR FM sloping roof



SLOPING ROOF2

TLP40 STD sloping roof







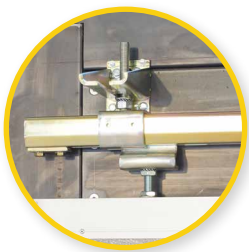
Match the style

In harmony with the surrounding architecture, we can offer a complete set of visual elements that will complement the overall style. The panel surface, color, and painted decorative elements will match the style of the entire ensemble.



ISFD

side sliding framed doors



Heavy-duty guide rails and carriages



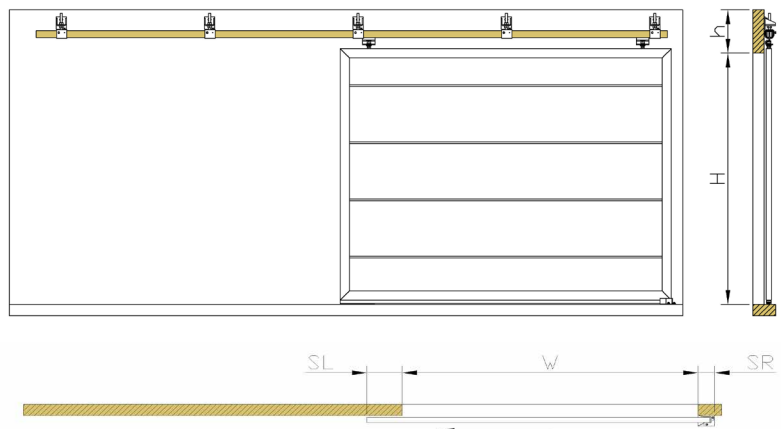
Side lock or floor lock options *on request



Inlaid handle



Solid bottom guide rollers



H / W	Max weight, lbs	h, inches	SL, inches	SR, inches
138" x 98"	374	7 7/8"	5 7/8"	5 1/2"
157 1/2" x 157 1/2"	661	11"	11 3/4"	5 1/2"
>157 1/2" x 157 1/2"	1322	16 1/8"	11 3/4"	7 1/2"
	2645	20"	11 3/4"	7 1/2"



ISSD

side sliding sectional doors

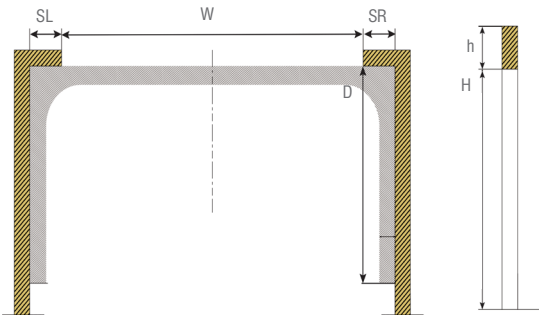
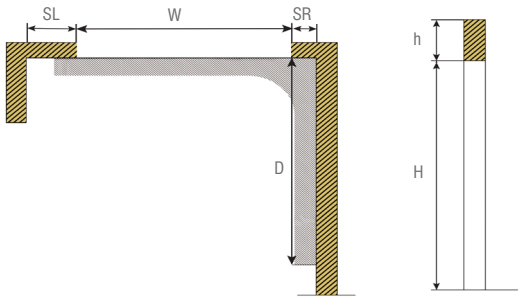
The vertical panel layout allows for building doors up to 98' 5" wide and 49' 2" high. A heavy-duty guiding rail and roller system ensure smooth and reliable operation.

The door moves sideways, keeping the space under the ceiling free for cranes and industrial equipment.

A custom-made bent guiding rail conforms to the perimeter walls so that the door occupies as little space as possible (the door is compatible with most electric drives). Pneumatic safety edges and infrared beam protective devices ensure safe operation.

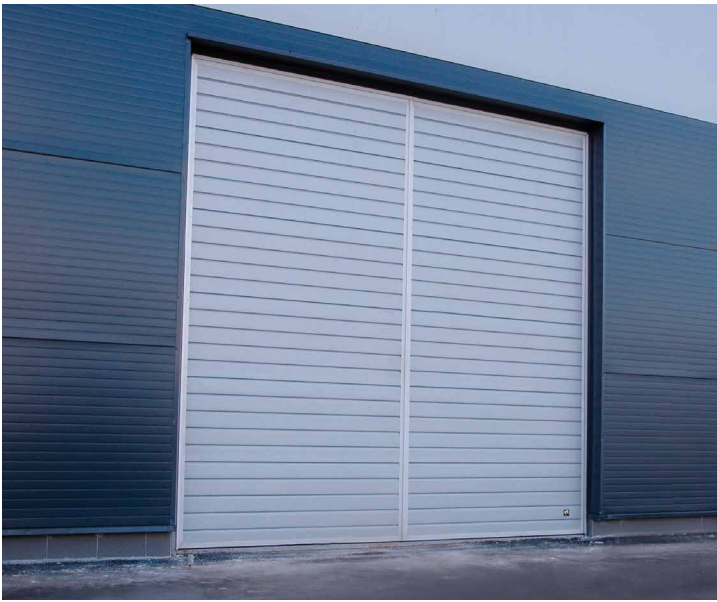
A wicket door provides the opportunity to save energy costs. The narrow bottom supporting groove requires minimal maintenance and allows smooth passage for small trolleys and forklifts.

High wind load resistance enables installation in open and windy locations.



		Manual			
H / W		h, inches	SL, inches	SR, inches	D, inches
One part	393 3/4" x 315"	15 3/4"	3"	29 1/2"	W
Two parts	787 1/8" x 315"	15 3/4"	29 1/2"	29 1/2"	W/2

		Automated			
H / W		h, inches	SL, inches	SR, inches	D, inches
One part	393 3/4" x 315"	43 1/4"	11 3/4"	69"	W-39 3/8"
Two parts	787 3/8" x 315"	43 1/4"	69"	69"	W/2-39 3/8"



ISH2

industrial side hinged doors

Industrial side hinged doors could be the perfect choice where conventional industrial doors can't be installed. They are mainly used in agriculture, workshops, storage spaces, and large garages. Insulated and reinforced leaves, a steel frame, and heavy-duty hinges ensure high durability and excellent performance. Standard sizes are available up to 16' 5" x 16' 5"; for larger sizes, consult the manufacturer.

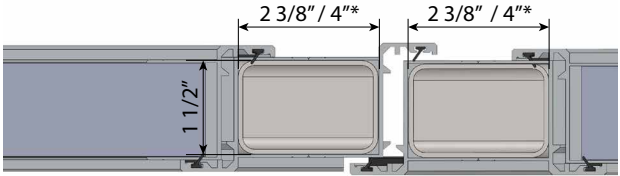
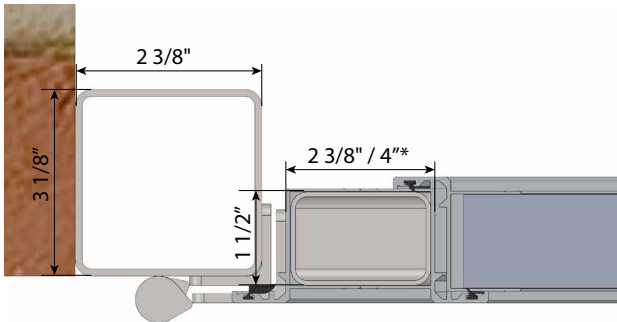


STANDARD OPTIONS:

- Inside locking:
 - Espagnolette ≤ 137 3/4"
 - Heavy duty locking latches 137 3/4" – 197"
- Assembly on site frame
- Horizontal panel layout
- Rib & Macrorib panels, standard TLP colors
- Anodized aluminum profiles
- Threshold S4 or S5
- Safety pins

ADDITIONAL OPTIONS:

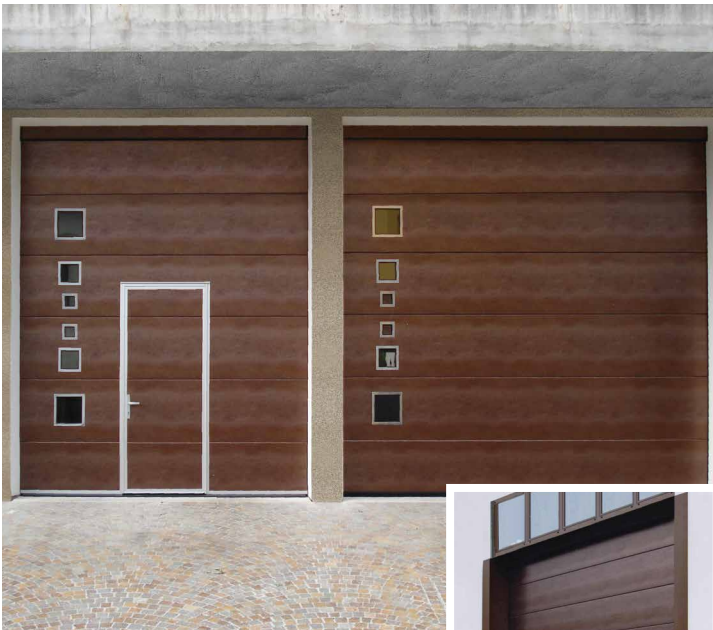
- Locking from outside:
 - 1-point lock (effective ≤ 106 1/4")
- Door stay shoot bolts
- 3-point lock (effective ≤ 118 1/8")
- Vertical panel layout
- Painted profiles
- Pass door
- Painted RAL colors
- FV, TLT panels
- Windows



*4" x 1 1/2" with 3-point lock

Panel options

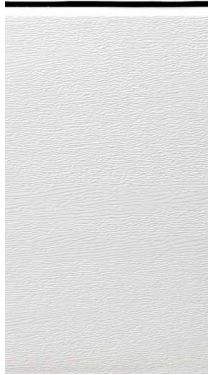
In addition to standard Rib and Macrorib panels, we offer a full range of panels that will make your door look exceptional and match your desired style.



SLICK



FLUSH



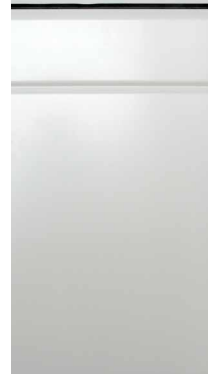
MIDRIB



MICRORIB



TOPRIB



GEORGIAN (CASSETTE)



Tailored engineering

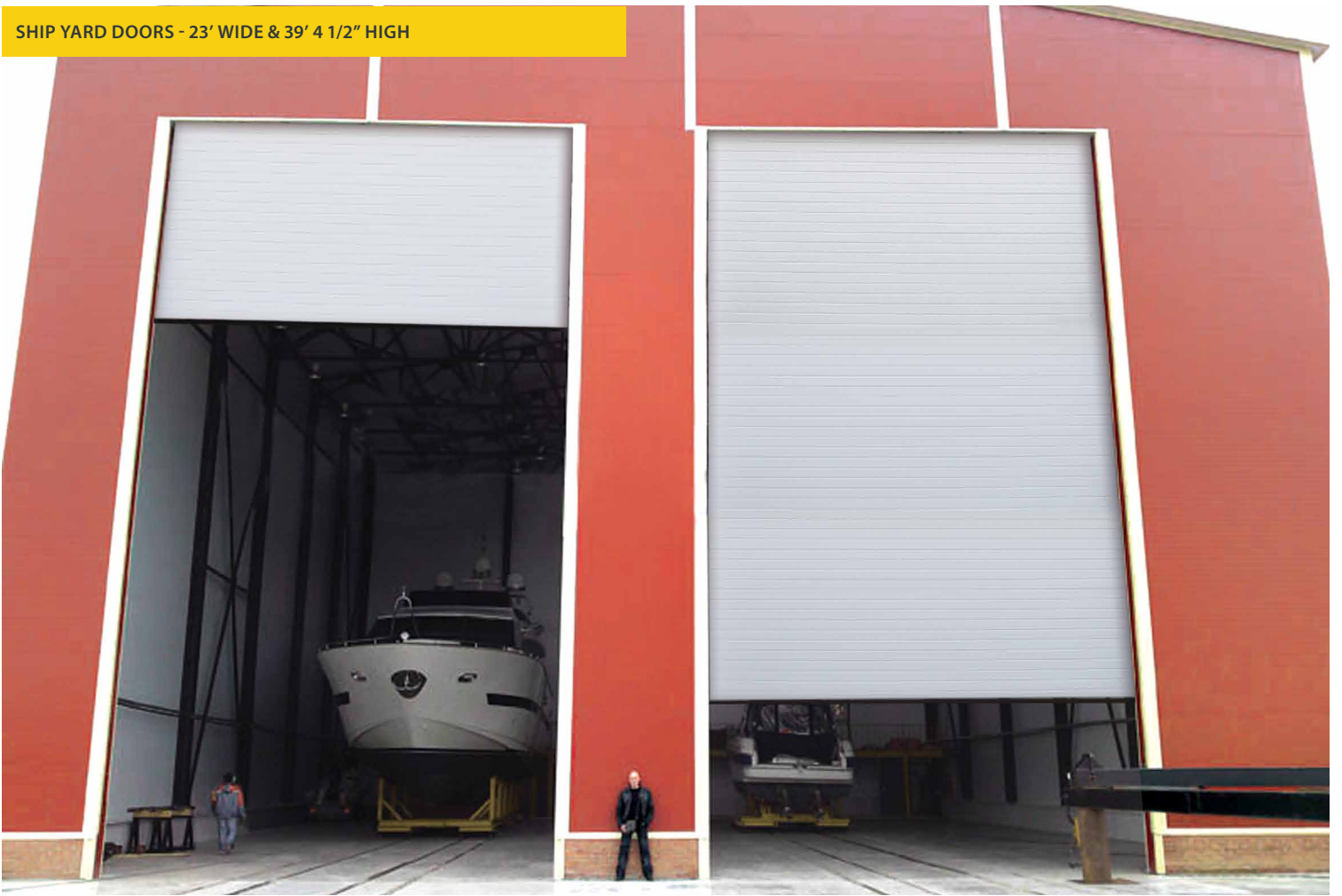
INDUSTRIAL SIZE SLIDING DOOR



SLOPING FLOOR CASE



SHIP YARD DOORS - 23' WIDE & 39' 4 1/2" HIGH



POWER PLANT DOORS - 14' 9 1/4" WIDE & 36' 1 1/8" HIGH





BOAT PARKING DOOR



SIDE HINGED INDUSTRIAL DOORS WITH FULL VIEW PANELS AND WICKET DOOR



SOLUTIONS UP TO 49' 2 1/2" WIDE



CONVEYOR CLOSING OPTIONS



CONVEYOR CLOSING CASE

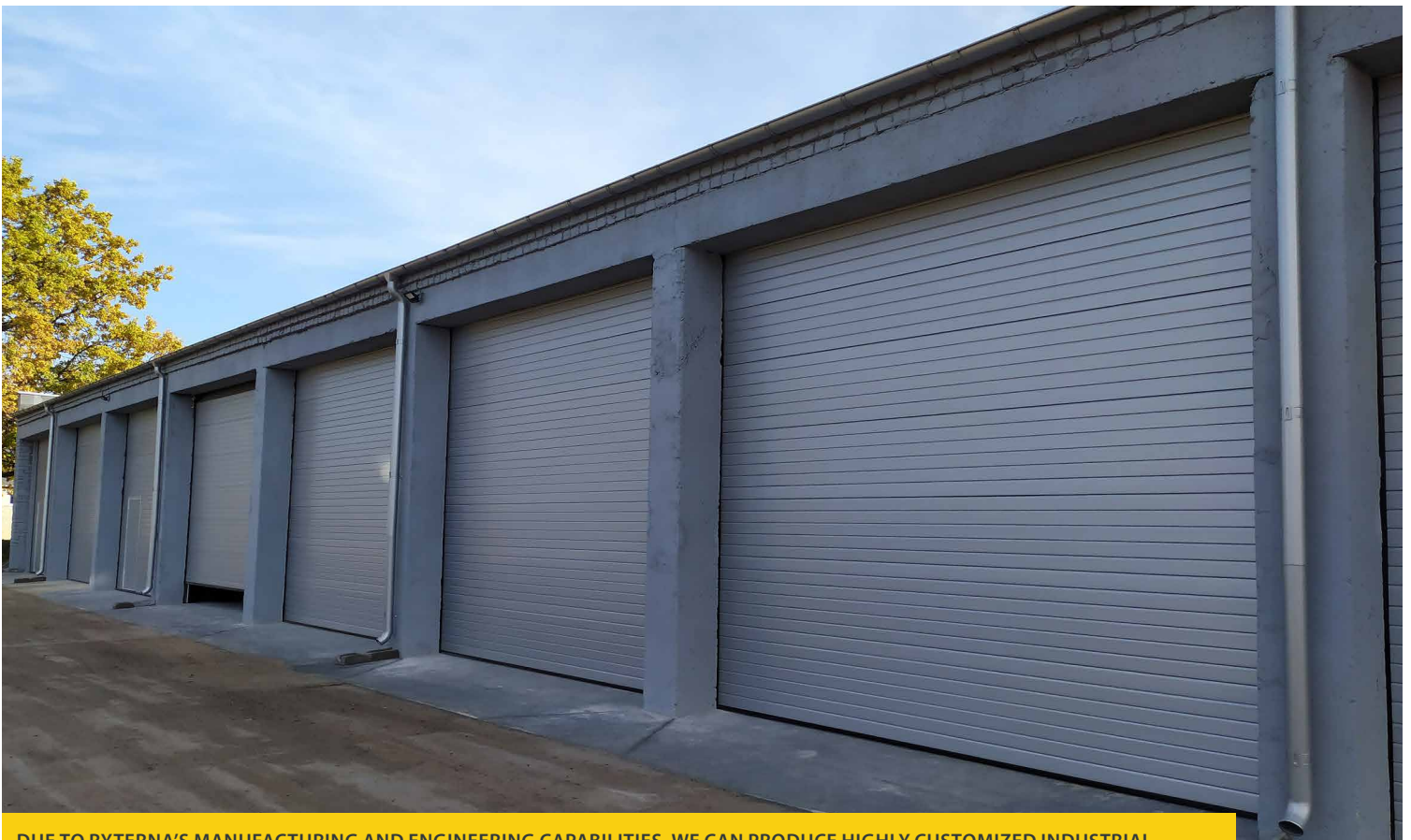


ALMOST LIMITLESS COLOR CHOICES ALLOW THE INDUSTRIAL DOORS TO BE NOT ONLY FUNCTIONAL BUT ALSO AESTHETICALLY APPEALING



A WICKET DOOR IS A CONVENIENT, ENERGY-SAVING OPTION.





DUE TO RYTERNA'S MANUFACTURING AND ENGINEERING CAPABILITIES, WE CAN PRODUCE HIGHLY CUSTOMIZED INDUSTRIAL DOORS FOR SPECIALIZED EQUIPMENT PREMISES AS WELL AS LARGE SERIES OF DOORS FOR LOADING BAYS





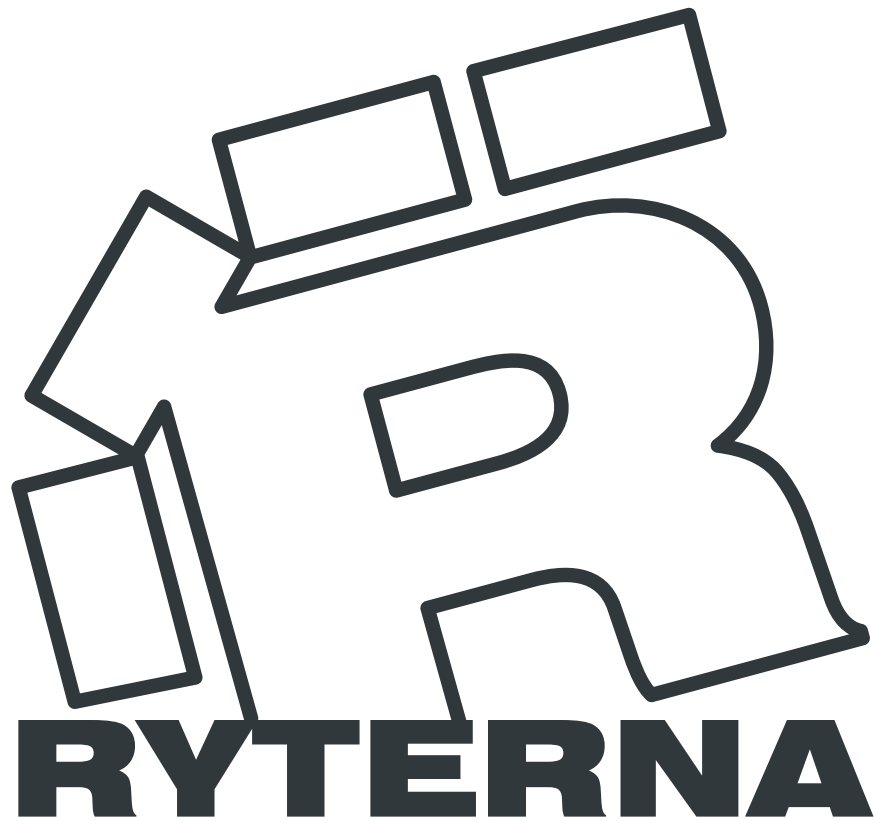
INCREASE NATURAL LIGHT BY CHOOSING WINDOWS OR FULL-VIEW PANELS





VISIT US AT WWW.RYTERNA.COM





The images depicted in this catalogue showcase custom configurations and may include additional accessories not standard to the base models. • The information provided herein does not constitute a legally binding offer. • We reserve the right to implement modifications to the designs without prior notice. • The color representations in this brochure are illustrative and may vary from actual product colors. • **All rights reserved.** • Unauthorized reproduction or distribution of this catalogue, in whole or in part, is strictly forbidden without prior written consent from **RYTERNA**.

2025.08.01

